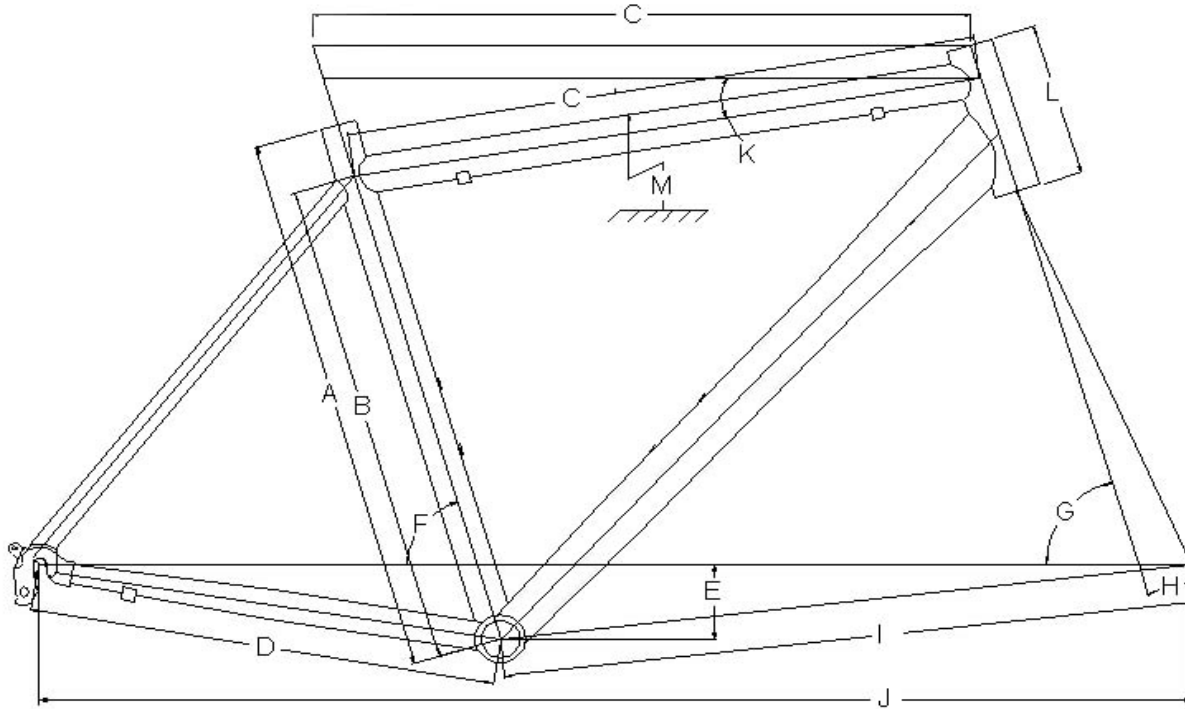


KHS Bicycle Geometry



MODEL	FRAME SIZE		A s/t c-t	B s/t c-c	C t/t	C' t/t'	D c/s	E drop	F s/t°	G h/t°	H rake	I fc	J wb	K t/t°	L h/t L	M s.o.	Ø s/t ID
	nominal	actual c t"															
Alite 4000	15"	16"	408	343	567.5	545	425	40	73	71	42.3	620.9	1042.8	21.1	110	734	27.2
	17"	18"	457	377	589.8	565	425	40	73	71	42.3	643.2	1065.1	16.7	110	750	27.2
	19"	20"	508	428	608.5	585	425	40	73	71	42.3	662.3	1084.2	12.2	122	779	27.2
	21"	22"	559	479	616.6	600	425	40	73	71	42.3	670.4	1092.3	6.9	122	803	27.2
Alite 3000	13"	14"	356	276	546.6	535	425	40	73	71	40	588	1009	28.9	110	700	27.2
Alite 2000	15"	16"	408	328	566.5	545	425	40	73	71	40.0	609	1029	22.4	110	725	27.2
Alite 1000	17"	18"	457	377	589.8	565	425	40	73	71	40.0	631	1053	16.4	110	748	27.2
Alite 500	19"	20"	508	428	608.1	585	425	40	73	71	40.0	650	1071	11.8	122	777	27.2
Alite 300	21"	22"	559	479	616	600	425	40	73	71	40.0	657	1079	6.6	122	801	27.2
	23"	24"	610	530	613.7	610	425	40	73	71	40	665.6	1087.5	1.6	122	825	27.2
Alite 150	13"	14"	356	276		535	430	30	71	72	40	582.5	1010.6	23	110		27.2
Alite 100	15"	16"	405	327	574.6	540	430	30	71	72	40	588.7	1016.9	17	110	732	27.2
	17"	18"	456	378	591.3	555	430	30	71	72	40	599.8	1028	11.4	110	755	27.2
	19"	20"	508	378	595.9	565	430	30	71	72	40	599.8	1028	5.8	110	779	27.2
	21"	21.4"	544	378	609.1	580	430	30	71	72	40	610.9	1039.2	4.4	134	807	27.2