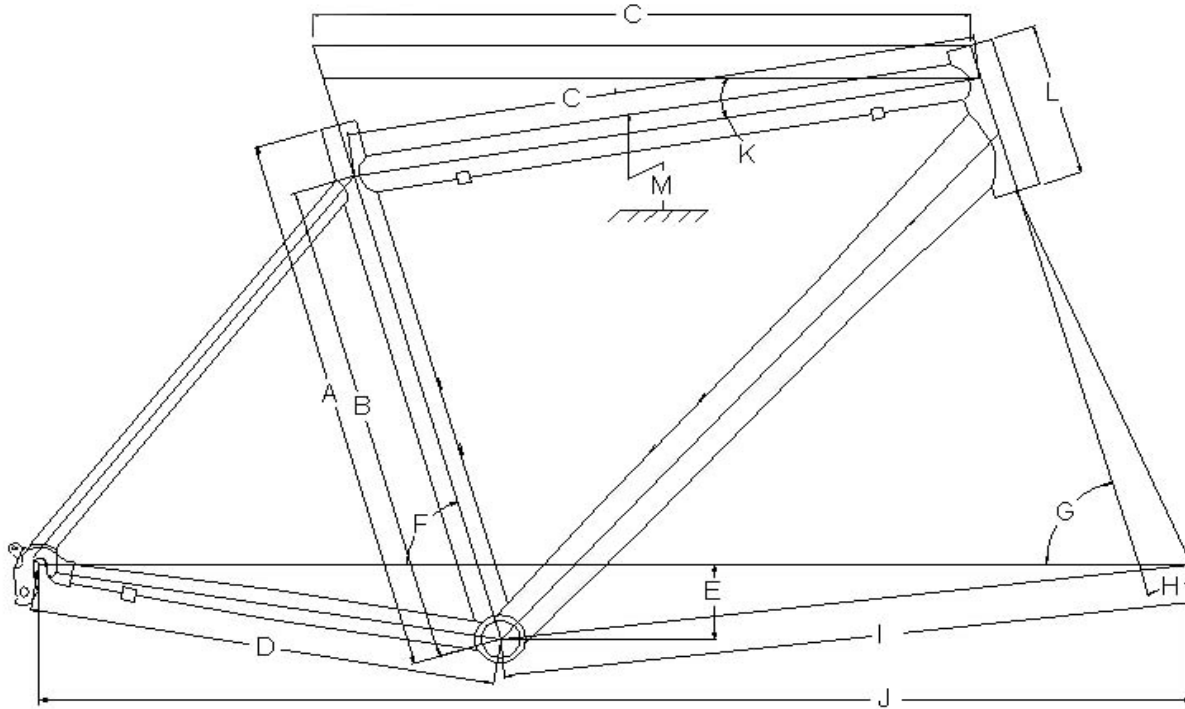


KHS Bicycle Geometry



| MODEL | FRAME SIZE | | A s/t c-t | B s/t c-c | C t/t | C' t/t' | D c/s | E drop | F s/t° | G h/t° | H rake | I fc | J wb | K t/t° | L h/t L | M s.o. | Ø s/t ID |
|----------------------------|------------|----------------|--------------|--------------|----------|------------|----------|-----------|-----------|-----------|-----------|---------|---------|-----------|------------|-----------|-------------|
| | nominal | actual c t" | | | | | | | | | | | | | | | |
| XC 904r XC Team | S | 16" | 406 | 356 | 575 | 551.54 | 430 | 3 | 73 | 70 | 39 | 646.64 | 1076.6 | 17.52 | 100 | 771 | 31.6 |
| | M | 18" | 457 | 407 | 588.7 | 565.63 | 430 | 3 | 73 | 70 | 39 | 661.41 | 1091.4 | 13.72 | 120 | 806 | 31.6 |
| | L | 20" | 508 | 458 | 602.1 | 584.54 | 430 | 3 | 73 | 70 | 39 | 674.88 | 1104.9 | 8.22 | 120 | 727 | 31.6 |
| XC 604 XC 204 XC 104 | S | 16.5" | 420 | 370 | 565 | 538 | 430 | 20 | 72 | 71 | 38 | 609 | 1040 | 19.3 | 120 | 770 | 31.6 |
| | M | 18.5" | 470 | 420 | 585 | 559 | 430 | 20 | 72 | 71 | 38 | 629 | 1059 | 13.3 | 120 | 793 | 31.6 |
| | L | 20.5" | 520 | 470 | 605 | 582 | 430 | 20 | 72 | 71 | 38 | 650 | 1080 | 9.6 | 140 | 825 | 31.6 |
| FXT Trail | S | 16" | 406.3 | 358.9 | 548.9 | 523 | 430 | 23.3 | 74 | 71 | 38 | 624 | 1052.9 | 25 | 120 | 769 | 27.2 |
| | M | 18" | 457 | 405.0 | 574.7 | 553.6 | 430 | 23.3 | 74 | 71 | 38 | 653.4 | 1082.3 | 18.5 | 120 | 782 | 27.2 |
| | L | 20" | 508 | 447.3 | 593.7 | 581.5 | 430 | 23.3 | 74 | 71 | 38 | 674 | 1103 | 15.4 | 120 | 792 | 27.2 |