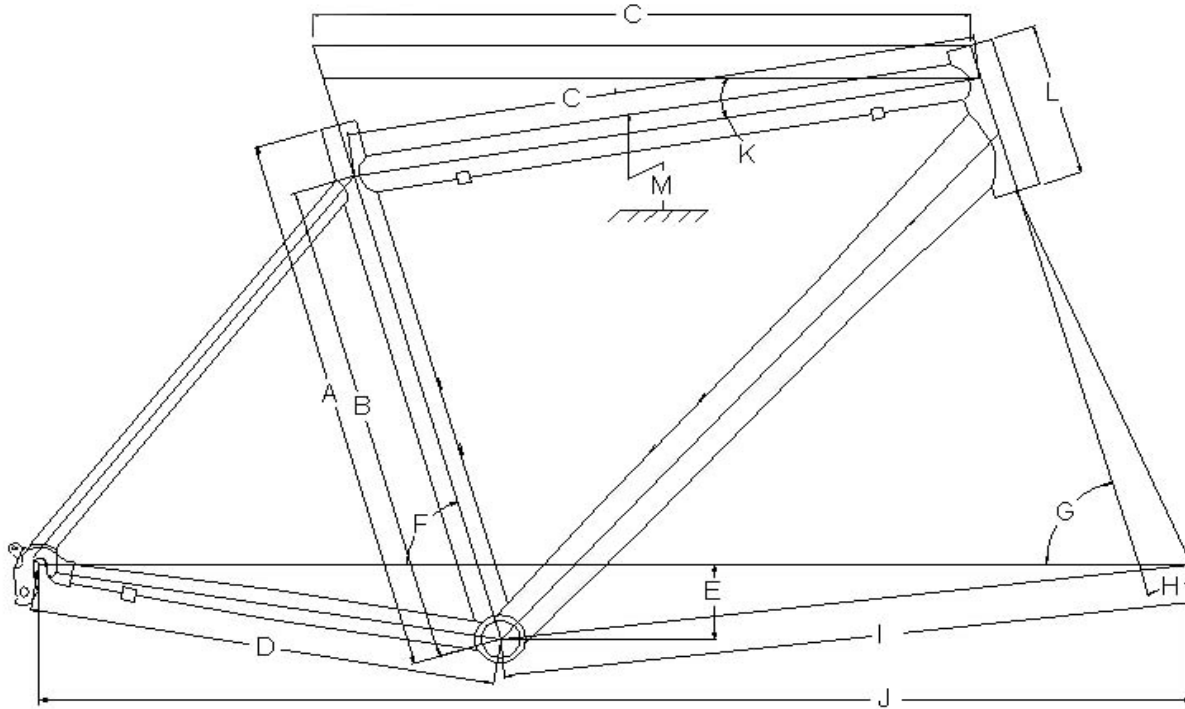


# KHS Bicycle Geometry



MODEL	FRAME SIZE		A	B	C	C'	D	E	F	G	H	I	J	K	L	M	Ø
	nominal	actual c t"	s/t c-t	s/t c-c	t/t	t/t'	c/s	drop	s/t°	h/t°	rake	fc	wb	t/t°	h/t L	s.o.	s/t ID
Flite 320	48cm		480	438	515	505.9	405	62	75.5	71.5	43	582	979	6.6	125	747	27.2
	50cm		500	458	530.0	529.0	400	62	75	71.5	43	590.6	982.5	1.50	100	744	27.2
	52cm		520	478	530.0	531.7	400	62	75	71.5	43	591.3	983.2	0.30	110	758	27.2
	54cm		540	498	545.0	545.3	400	72	75	73.0	43	592	981.1	0.40	115	768	27.2
	56cm		560	518	560.0	560.4	400	72	75	73.5	43	603.1	992.2	0.20	132	787	27.2
	58cm		580	538	575.0	575.9	400	72	75	73.5	43	618.4	1007.7	0.00	150	805	27.2
	60cm		600	558	585.0	586.0	400	72	75	73.5	43	628.9	1018.2	0.00	170	824	27.2