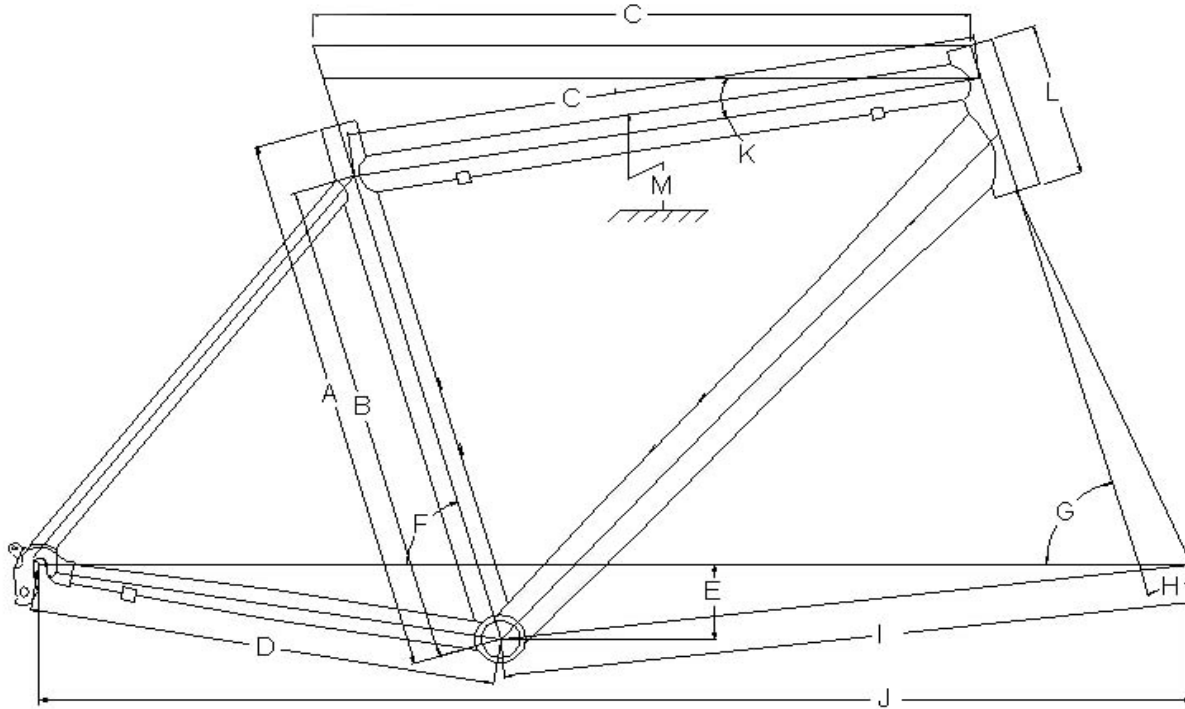


KHS Bicycle Geometry



MODEL		nominal	actual c t"	A	B	C	C'	D	E	F	G	H	I	J	K	L	M	Ø
				s/t c-t	s/t c-c	t/t	t/t'	c/s	drop	s/t°	h/t°	rake	fc	wb	t/t°	h/t L	s.o.	s/t ID
Eastwood	15"	13.8"	350	305	545.9	532.6	440	55	74	71	55	618.4	1053.2	25	125	717	27.2	
	15L"	13.8L"	350	200	545.9	569.8	440	55	74	71	55	618.4	1053.2	39	155	n/a	27.2	
	17"	15.7"	400	355	554.3	535.2	440	55	74	71	55	627.2	1061.3	20.4	135	745	27.2	
	17L"	15.5L"	400	225	554.3	567.2	440	55	74	71	55	627.2	1061.3	36.2	155	n/a	27.2	
	19"	17.7"	450	405	584	558	440	55	73	72	55	635.9	1070	15.4	141	772	27.2	
	21"	19.7"	500	455	601.2	580.1	440	55	73	72	55	654.3	1088.5	9.7	141	796	27.2	
Westwood	15"	13.8"	350	300	537.9	540	440	55	74	71	40	598.4	1033.1	32.3	125	744	27.2	
	15L"	13.8L"	350	225	537.9	567.7	440	55	74	71	40	598.4	1033.1	40.1	125	n/a	27.2	
	17"	15.7"	400	350	560.3	550	440	55	74	71	40	621.2	1055.3	27	135	772	27.2	
	17L"	15.5L"	400	225	560.3	588.6	440	55	74	71	40	621.2	1055.3	39.5	135	n/a	27.2	
	19"	17.7"	450	401	582.6	560	440	55	73	72	40	622	1055.2	22.4	140	800	27.2	
	21"	19.7"	500	449	612.1	585	440	55	73	72	40	649.5	1083.7	16	140	822	27.2	
Brentwood	15"	13.8"	350	310	543.6	530	440	55	74	71	55	616.1	1050.2	25	125	718	27.2	
	15L"	13.8L"	350	225	543.6	550.7	440	55	74	71	55	616.1	1050.2	34.1	125	n/a	27.2	
	17"	15.7"	400	360	553.5	535	440	55	74	71	55	629.3	1061.5	20.1	135	747	27.2	
	17L"	15.5L"	400	225	553.5	562.5	440	55	74	71	55	629.3	1061.5	34.5	135	n/a	27.2	
	19"	17.7"	450	410	586.1	560	440	55	73	72	55	637.5	1072.1	15.1	140	773	27.2	
	21"	19.7"	500	460	606.2	585	440	55	73	72	55	659.3	1093.5	9.6	140	797	27.2	
	23"	21.6"	550	510	612.1	600	440	55	73	72	55	665.1	1099.3	4.5	140	820	27.2	